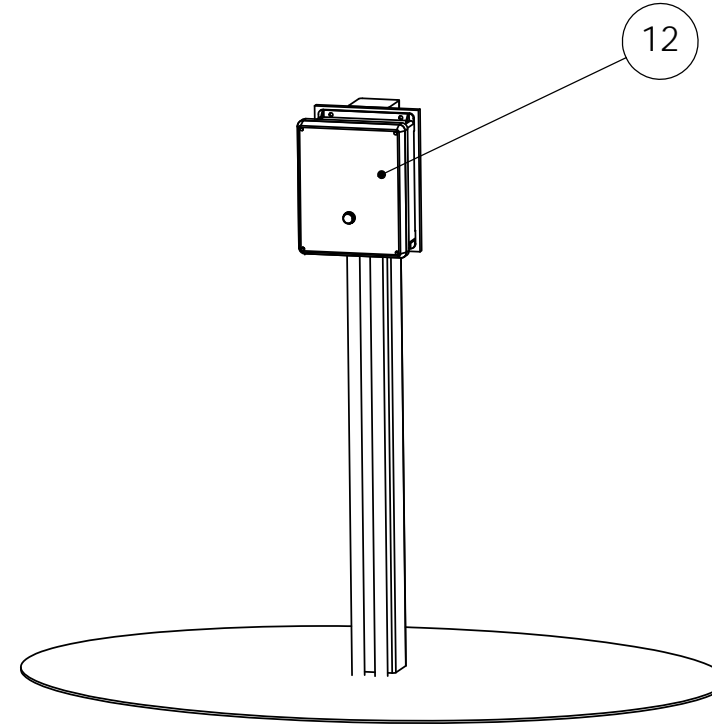


NO.	IN.	DESCRIPTION
1	30 IN X	IN KORFLO PVC PUMP BASIN
2		FLOAT SWITCH ASSEMBLY:
	30	HIGH LEVEL ALARM
	27	PUMP ON
	19	PUMP OFF
	16	REDUNDANT OFF/LOW LEVEL ALARM
3		4 IN INLET GASKET - NOT SHOWN - SHIPPED LOOSE
4		PUMPS, HP, V/1
5		1.5 IN AFS DISCHARGE ASSEMBLY
6		1.5 IN CHECK VALVE
7		ELECTRICAL SPLICE BOX
8		30 IN ORENCO DURAFIBER LID
9		1.5 IN BALL VALVE
10		1.5 IN FIPT DISCHARGE
11		AFS EXTERNAL FLEX ASSEMBLY - SHIPPED LOOSE
12		CONTROL PANEL - SHIPPED LOOSE



REV NO.	DATE	SCALE	DRAWN BY	CHECKED BY
1.0	1/24/2020	1:16	RJK	

AFS
 AUTOMATED FLOW SYSTEMS
 625 BEST AVE
 COEUR D'ALENE, ID 83814
 PHONE 208.664.2133
 4444 S YELLOWSTONE HWY
 IDAHO FALLS, ID 83402
 208.529.6868
 4101 E BROADWAY
 SPOKANE, WA 99202
 PHONE 509.534.5616
 WWW.RCWORST.COM

AFS PBAD 15 30 _____ DUPLEX PUMP BASIN ASSEMBLY
 DESCRIPTION - PROJECT # _____
 SUBMITTAL SHEET